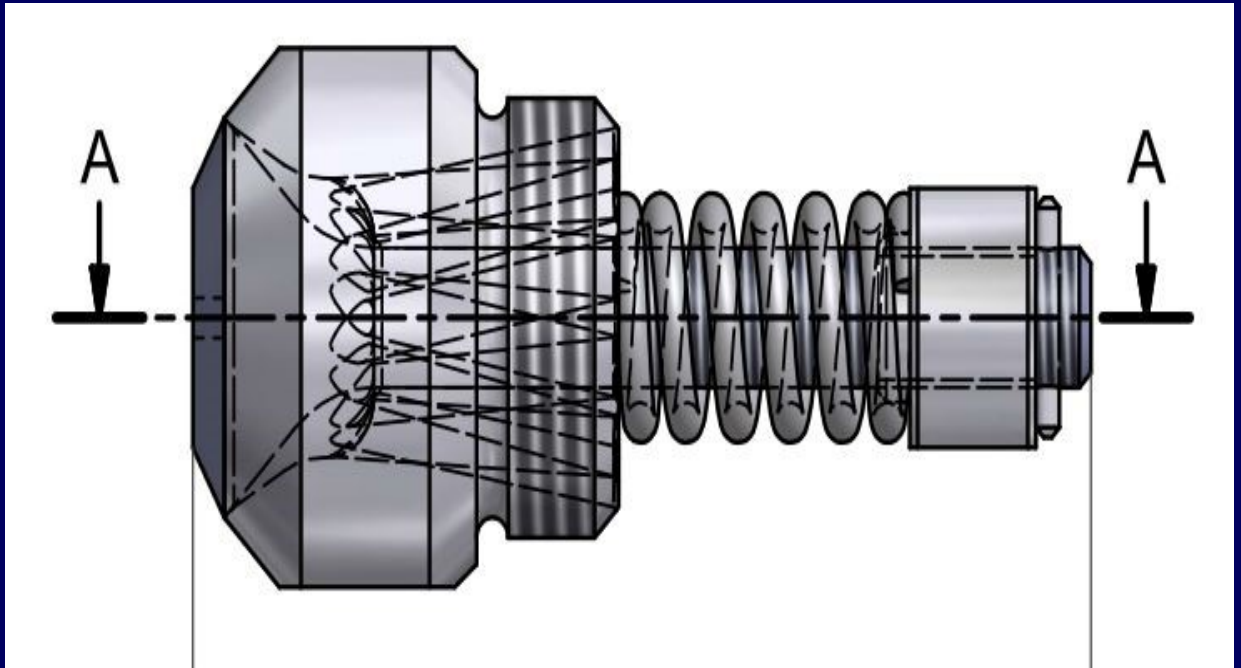


***The REBECCA Spray Water Nozzle is a direct replacement to the CCI OP Nozzle.***



Carter Process Control GmbH offers superior quality replacement parts for control valves. These parts are engineered to provide outstanding performance and extended service life.

We guarantee that our replacement/re-engineered parts meet or exceed the quality of the Original Equipment Manufacturer (OEM) and are interchangeable in form, fit and function.

### ***Why Choose CPC GmbH Spare Parts?***

- **ISO Certified**—Every CPC part is manufactured in ISO certified facilities and backed by a full 12 months international warranty
- **Fast Response**—Our unique methods and in house design, engineering and innovative programs allow for rapid turnaround of normally long lead items.
- **Over 30 Years**— with more than 30 years experience in the control valve market our technical knowledge is a major factor to our continued success.
- **Low Cost**— Our unique methods and simplified organisation allow for massive cost savings to be passed directly to our customers.
- **Stock**—CPC holds large quantities in stock of all Nozzles and associated soft goods ready for immediate delivery.
- **Materials of Construction**— Body—X19CRMO Heat Treated  
Shaft—X19CRMO with CRCN coating  
Spring—Nimonic 90

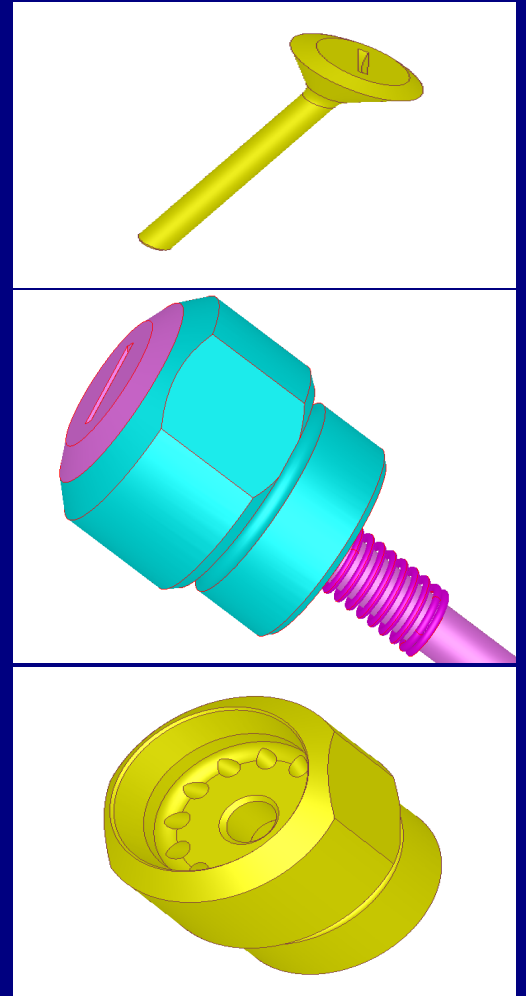
**REBECCA = Reliably Engineered Best Economic Complete Control Atomisation**

Carter Process Control GmbH offers superior quality replacement parts for control valves. These parts are engineered to provide outstanding performance and extended service life.

We guarantee that our replacement/re-engineered parts meet or exceed the quality of the Original Equipment Manufacturer (OEM) and are interchangeable in form, fit and function.

**Why Choose CPC GmbH Spare Parts?**

- **ISO Certified**—Every CPC part is manufactured in ISO certified facilities and backed by a full 12 months international warranty
- **Fast Response**—Our unique methods and in house design, engineering and innovative programs allow for rapid turnaround of normally long lead items.
- **Over 30 Years**— with more than 30 years experience in the control valve market our technical knowledge is a major factor to our continued success.
- **Low Cost**— Our unique methods and simplified organisation allow for massive cost savings to be passed directly to our customers.
- **Stock**—CPC holds large quantities in stock of all Nozzles and associated soft goods ready for immediate delivery.

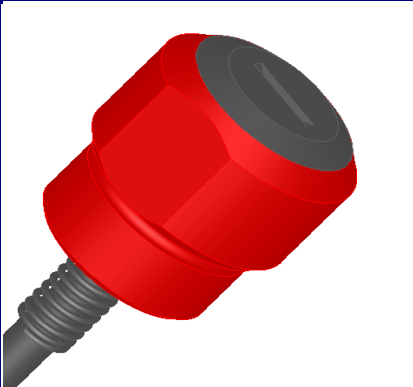


PERLHOFGASSE 2B/5  
GISSHUEBL  
A-2372  
AUSTRIA

TEL: +43 2236 864300

EMAIL: SALES@CARTERPROCESS.COM  
WEB: WWW.CARTERPROCESS.COM

**SPRAY NOZZLE DESIGN**



Water Injection is done through spring loaded variable orifice type nozzles which ensures small water droplets and best water distribution under all conditions.

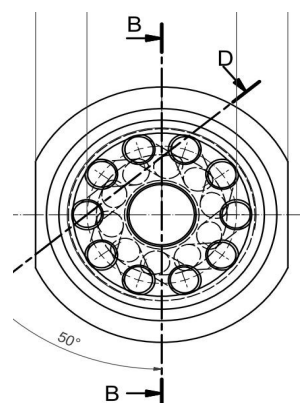
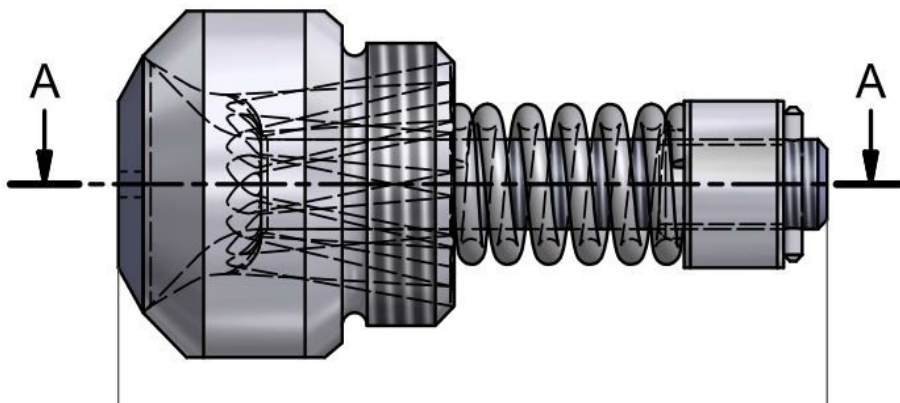
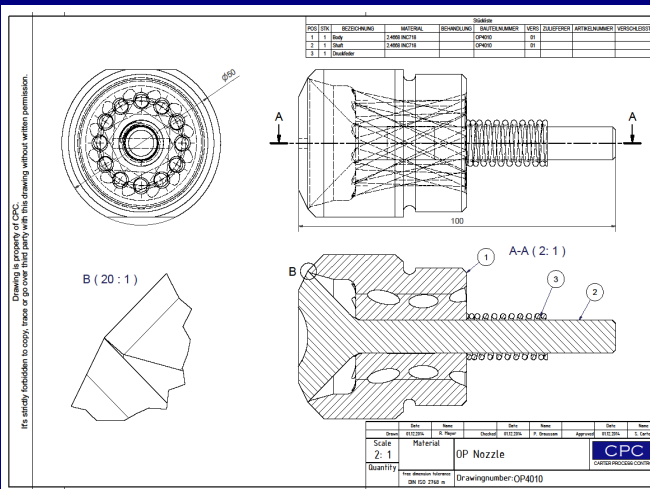
To achieve the best spray pattern and the smallest water drops the correct design has to be applied.

A spring loaded variable orifice nozzle is provided by CPC to guarantee the best atomization at any flow condition.

CPC developed this product under intense testing to ensure the best solution and most highly accurate spray pattern for the most efficient spraying. All Nozzles are set up in the factory to give exact spring setting for the most accurate tip opening pressure.



**ENGINEERED EXCELLENCE**





## Why Choose CPC?

All CPC Nozzles are Direct replacements for the OEM and are produced from identical materials

CPC Nozzle benefits:

- 100% identical replacement
- All sizes are stocked and ready to ship
- Commonality of spare parts (also stocked)
- Cost benefits against OEM
- Best material as standard



Available immediately from stock:

<b>OP2025</b>	— CPC Part Number <b>13022014-09</b>
<b>OP2030</b>	— CPC Part Number <b>13022014-14</b>
<b>OP2050</b>	— CPC Part Number <b>13022014-13</b>
<b>OP2060</b>	— CPC Part Number <b>13022014-10</b>
<b>OP2815</b>	— CPC Part Number <b>13022014-06</b>
<b>OP2830</b>	— CPC Part Number <b>13022014-07</b>
<b>OP2880</b>	— CPC Part Number <b>13022014-08</b>
<b>OP4010</b>	— CPC Part Number <b>13022014-02</b>
<b>OP4010H</b>	— CPC Part Number <b>13022014-04</b>
<b>OP4030</b>	— CPC Part Number <b>13022014-03</b>
<b>OP4030H</b>	— CPC Part Number <b>13022014-05</b>
<b>OP5610</b>	— CPC Part Number <b>13022014-11</b>
<b>OP5630</b>	— CPC Part Number <b>13022014-12</b>

Special sizes, ranges available upon request.

CPC is also very proud to deliver its range of Spray Nozzles to other manufacturers for installation into their desuperheating systems.

All sizes available for immediate delivery. Contact the sales office to receive a fast and cost effective quote.

**PERLHOFGASSE 2B/5**  
**GISSHUEBL**  
**A-2372**  
**AUSTRIA**

**TEL: +43 2236 864300**

